

INSTRUCTION MANUAL

SANDWICH GRILL - MODEL: SACL-81.211.5P221-A

ATTENTION:

- PLEASE** read these instructions carefully before operating this appliance.
- The temperature is thermostatically controlled between the range of 50°C to 300°C (122° F to 572°F). A signal lamp adjacent to the thermostat indicates when the heating elements are energized.

IMPORTANT:

- These units are designed to operate on alternating current (A.C.) only.
- DO NOT CONNECT TO DIRECT CURRENT (D.C.).**
- Care should be taken when operating this appliance as **HOT SURFACES** may cause burns.
- Ensure that the power supply cord does not come into contact with hot surfaces.
- Do not leave unit in operation without an attendant.
- When not in use for long period unplug the appliance.

INSTALLATION AND OPERATION:

- Check if voltage of your power system corresponds to the same specified on the machine label.
- Before using the appliance for the first time, turn the control knob to 300°C (572°F), close the lid and allow the appliance to heat for + / - 30 minutes. You will notice smoke appearing due to the internal insulation burning, which is normal.
- After 30 minutes heating, turn temperature control down to operating desired temperature, keep knob in this position until pilot light turns off, at this point the unit will be ready to be used.
- To turn off the unit turn knob completely towards left.

CLEANING PROCEDURE

- Always ensure that the appliance is disconnected from the main power supply before cleaning.
- After appliance has cooled clean cooking surface and body using only a damp cloth. Never use water jet or immerse appliance in water.
- Wipe off appliance with a dry cloth and wait at least half an hour before re-connecting to main power outlet.

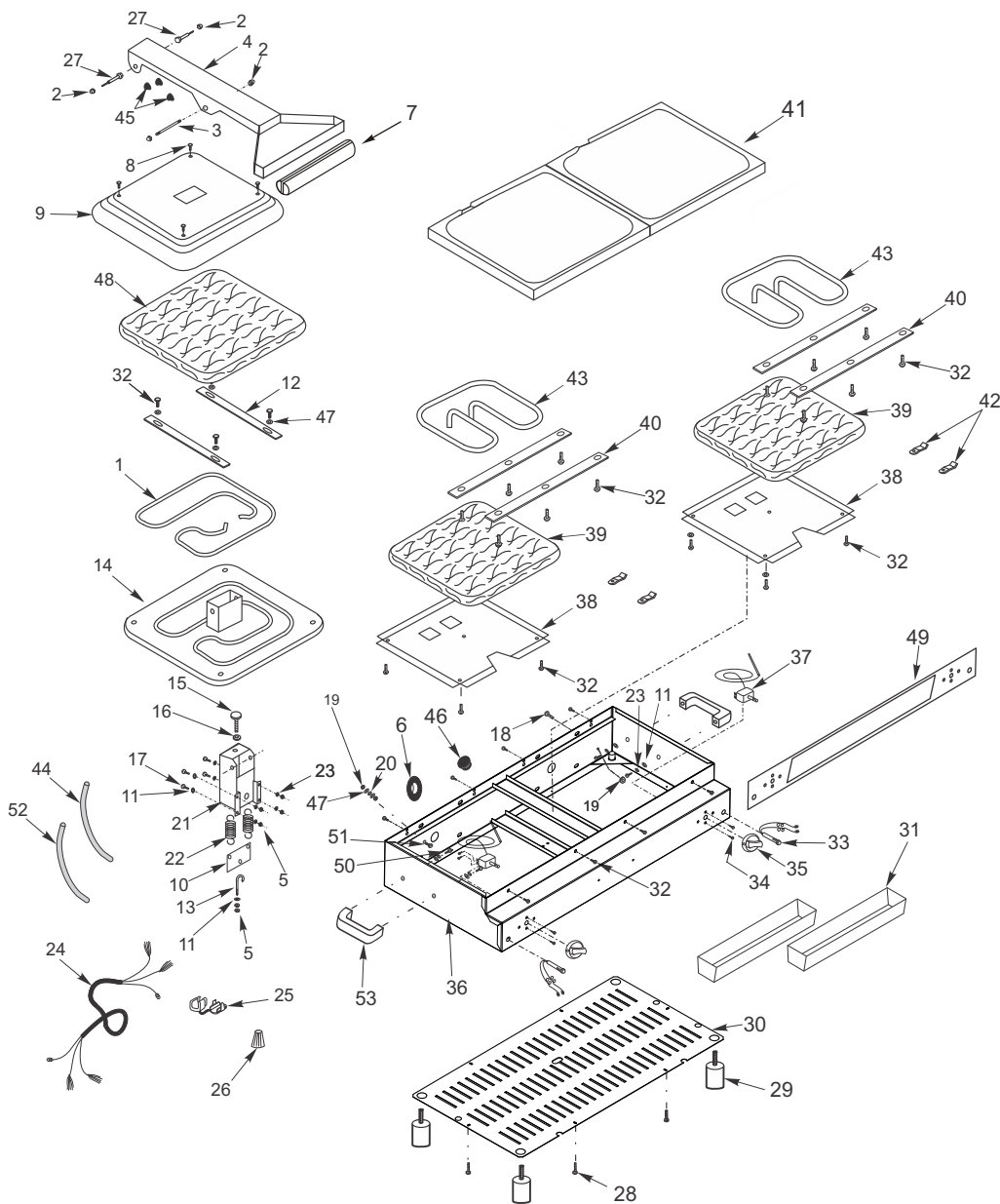
The pictures/drawings are illustrations. All data can be changed without notification.



AMERICA PARTS & TOOLS, INC

8409 NW 68th St
Miami, FL 33166
PH: +1-786-5369960
email: info@americapartstools.com

SACL-81.211.5P221-A



Item	Code	Description
1	17.827-3	Heating Element (550W)
2	621	Nut (1/4")
3	2.646-3	Shaft
4	21.868-3	Arm
5	601	Nut
6	2.007-3	Rubber Protector
7	15.000-3	Handle
8	570	Screw 3/16"
9	2.032-3	Lid
10	2.654-3	Spring Support
11	642	Washer 1/4"
12	2.036-3	Heating Fixed
13	2.631-3	Spring Regulator
14	40.023-3	Upper Heating Plate
15	2.467-3	Lid Regulator
16	2.466-3	Regulator Locker
17	557	Screw 1/4"
18	385	Screw 3/16"
19	604	Nut 3/16"
20	594	Washer
21	21.875-3	Arm Support
22	2.044-3	Spring
23	597	Locker Washer 1/4"
24	2.115-3	Power Cord
25	9.415-3	Cord Retainer
26	2.191-3	Wire Connector
27	15.024-3	Shaft
28	552	Screw
29	1.917-3	Foot
30	16.269-3	Bottom Cover Plate
31	17.958-3	Grease Collector
32	566	Screw
33	17.934-3	Pilot Light
34	331	Screw
35	21.288-3	Knob
36	17.977-3	Body
37	17.769-3	Thermostat
38	2.057-3	Heating Element Protection Plate
39	2.073-3	Insulation
40	2.062-3	Heating Element Retainer
41	40.024-3	Lower Heating Plate
42	2.091-3	Thermostat Bulb Retainer
43	2.025-3	Heating Element (1000W)
44	2.604-3	Protection Sleeve
45	2.113-3	Rubber Protection
46	18.003-3	Rubber Finishing
47	643	3/16" Washer
48	14.026-3	Insulation
49	22.901-3	Label
50	366	Screw
51	383	Screw
52	18.079-3	Protection Sleeve
53	94.060-3	Side Gap
54	22.901-3	Label

Technical Data

SACL-81.211.5P221-A	
Voltage (V)	127
Power (W)	2,550
Amperage (A)	23.1
Weight (kg/lbs)	19.9/43.8
Dimensões W x H x D (cm/in)	70.7/27.8 x 36.2/14.3 x 49.5/19.5